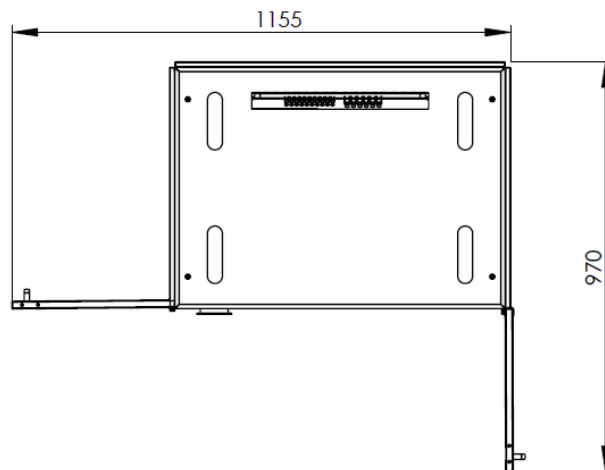
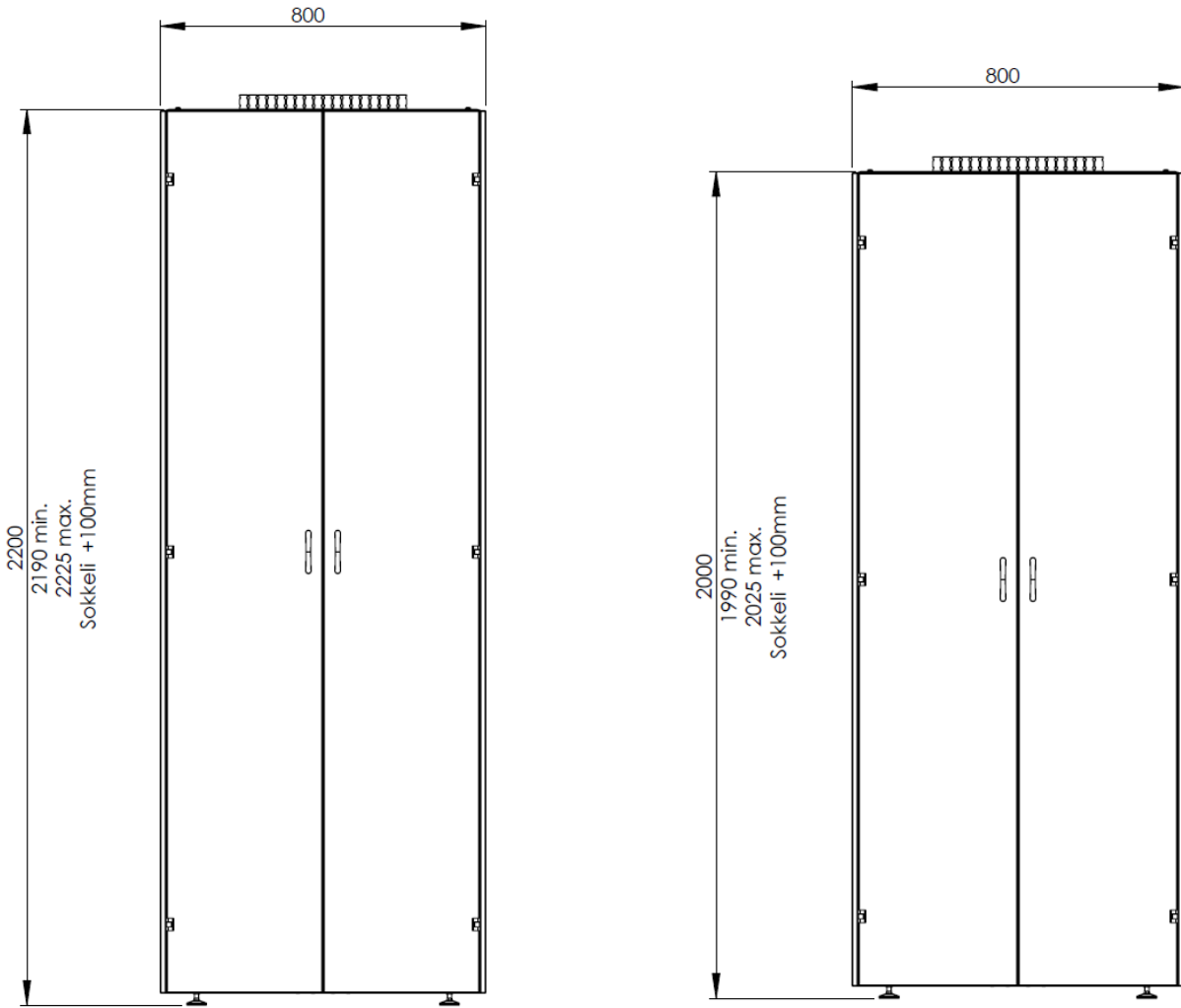


Connection Cabinet NC-2000



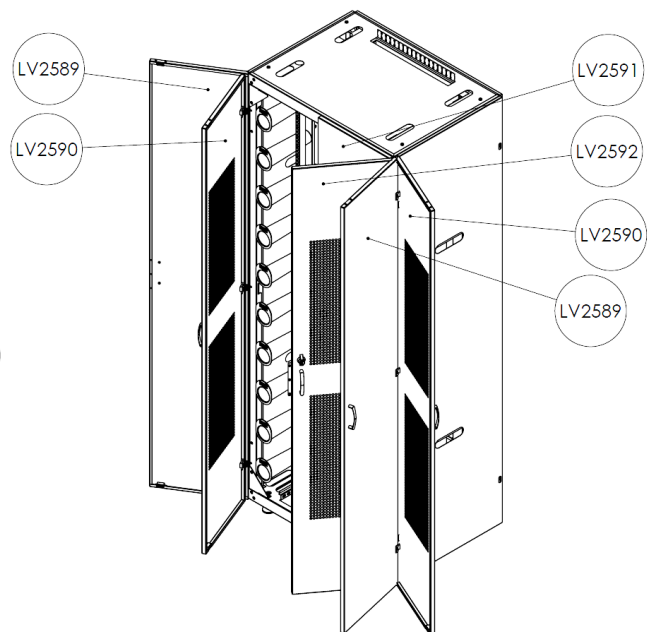
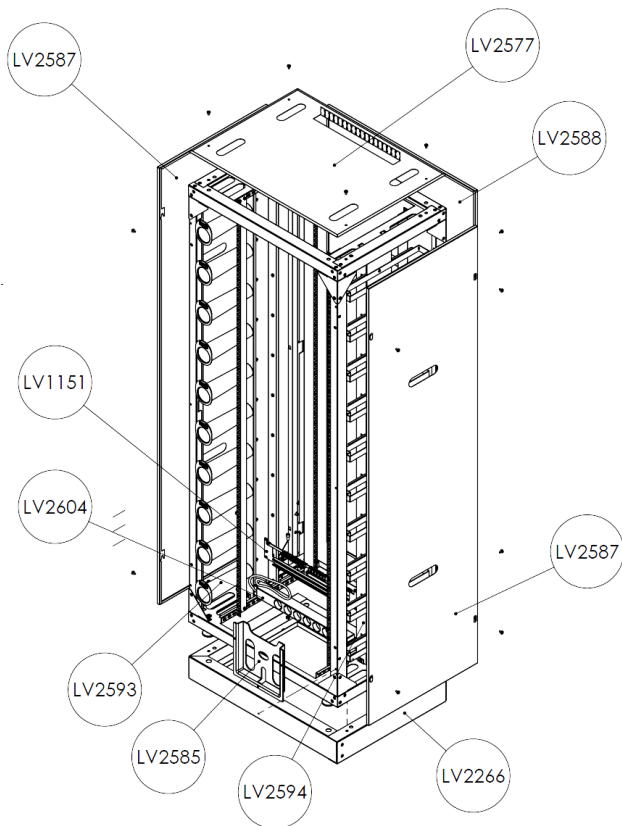
Features

- Connection cabinet NC-2000 has a 19" construction and modular design.
- Possibility to place fibre terminations and active equipment into the same cabinet.
- Cabinets are equipped with accessories for handling a big quantity of fibers.
- Thanks to individual modules, cabinets can be easily customized according to customer specifications.
 - 19" mounting bars on the front and back of the cabinet frame
 - Removable walls and roof
 - Multiple door options
 - Adjustable feet in the basic stand
 - Wide entrances for cables on the roof
 - Mounting and grounding plate for incoming cables
 - Cable guides on the management module for handling a big quantity of patch cords
 - Guiding hooks on the mounting module for pigtail cables and for fibre tubes
 - Electric outlet panel with 9 grounded sockets for active equipment
 - A holder for documents inside the front door or side walls
- Material Galvanized steel
- Color RAL 7035 (grey)
- Standard frame sizes
 - 800 (W) x 600 (D) x 2000 (H) mm
 - 800 (W) x 600 (D) x 2200 (H) mm



Configurations

Frame	LV2586 NC-2000 cabinet frame with 19" rack 800x600x2000mm			
Roof	LV2577 Roof			
Back wall	LV2588 Back wall, 2000mm			
Left side wall	LV2587 Side wall, 2000mm			
Right side wall	LV2587 Side wall, 2000mm			
Document holder	LV2585 Document holder			
Left extra module	LV2593 Management module, 2000mm	LV2594 Mounting module, 2000mm		
Right extra module	LV2593 Management module, 2000mm	LV2594 Mounting module, 2000mm		
Left door	LV2589 Basic door, 2000mm	LV2590 Door with grill, 2000mm		
Right door	LV2589 Basic door, 2000mm	LV2590 Door with grill, 2000mm	LV2591 Basic door with lock, 2000mm	LV2592 Door with grill and lock, 2000mm
Stand	LV2266 Basic stand			
Accessories	LV2604 Electric outlet panel with 9 grounded sockets		LV1151 Mounting and grounding plate for 19" racks	
	LV1291 Guiding panel 1U	R11031 Connection panel 24xRJ45	LV1074 NC-220 Splice module	LV1581 NC-48S Splice tray



Frame	LV2575 NC-2000 cabinet frame with 19" rack 800x600x2200mm			
Roof	LV2577 Roof			
Back wall	LV2578 Back wall, 2200mm			
Left side wall	LV2576 Side wall, 2200mm			
Right side wall	LV2576 Side wall, 2200mm			
Document holder	LV2585 Document holder			
Left extra module	LV2583 Management module, 2200mm	LV2584 Mounting module, 2200mm		
Right extra module	LV2583 Management module, 2200mm	LV2584 Mounting module, 2200mm		
Left door	LV2579 Basic door, 2200mm	LV2580 Door with grill, 2200mm		
Right door	LV2579 Basic door, 2200mm	LV2580 Door with grill, 2200mm	LV2581 Basic door with lock, 2200mm	LV2582 Door with grill and lock, 2200mm
Stand	LV2266 Basic stand			
Accessories	LV2604 Electric outlet panel with 9 grounded sockets		LV1151 Mounting and grounding plate for 19" racks	
	LV1291 Guiding panel 1U	R11031 Connection panel 24xRJ45	LV1074 NC-220 Splice module	LV1581 NC-48S Splice tray

